



**Features:**

- Cummins QSF2.8 EPT Tier 4 - 55KW (75hp) Diesel
- Pilot-electrical joystick control all movements by one hand.
- Hydraulic quick hitch and front hydraulic output make attachments exchanging quick and easy.
- The electro-hydraulic proportional control for the working system.
- Front frame leveling function/swingable chassis.
- Radio with USB and Bluetooth.
- Safe load indicator.
- Quick hitch as standard.
- Cabin doors can be opened up and down separately.
- Three wipers for front, top and openable rear windshield windows
- Hydraulic oil cooler, hydraulic converter cooler and water radiator can cool machine well to make long working time.

<b>Model</b>	TLT30-8 Tele
<b>Lifting capacity</b>	3000kg
<b>Max. height to pin</b>	8000mm
<b>Weight</b>	7350kgs
<b>Max. length without fork</b>	5430mm
<b>Max. width</b>	2195mm
<b>Max. height to top of cabin</b>	2600mm
<b>Boom raise</b>	11.5s
<b>Boom lower</b>	9.0s
<b>Boom extend</b>	11.0s
<b>Tires</b>	16/70-24
<b>Driving Brake</b>	disc brake
<b>Transmission</b>	Torque converter
<b>Max. Speed</b>	34 km/h
<b>Number of gears (f&amp;r)</b>	4/ 4
<b>Gearshift</b>	Electrohydraulic control + Mechanical
<b>Driving</b>	4 wheel driving
<b>Turning angle</b>	27°
<b>Track</b>	1760mm
<b>Wheelbase</b>	3200mm
<b>System pressure</b>	28Mpa
<b>Hydraulic output</b>	117L/min

**Shelter Structures America**

405 Via Chico, Suite 1

Palos Verdes Estates, CA 90274

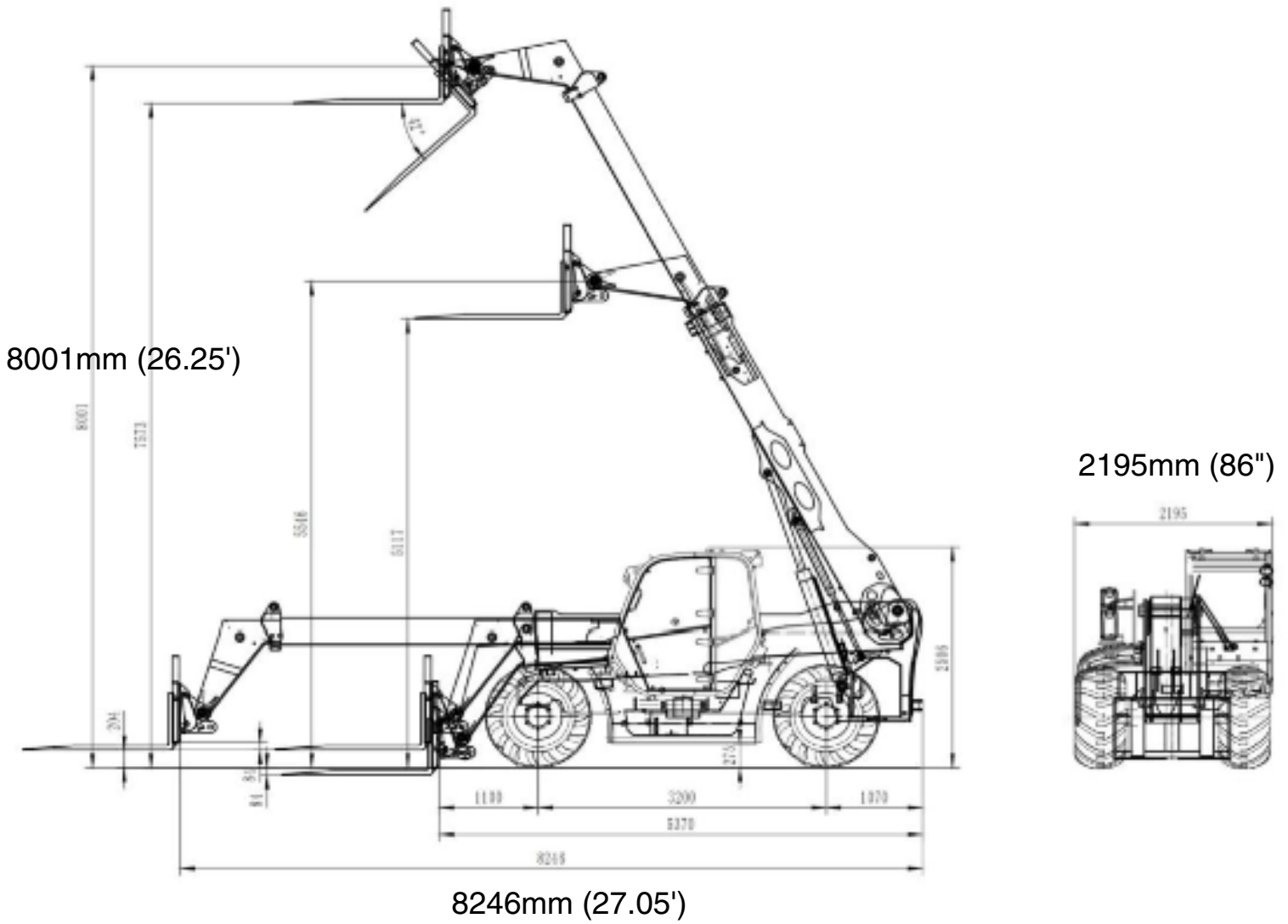
424-254-9172

[www.Shelterstructuresamerica.com](http://www.Shelterstructuresamerica.com)

[sales@wilddogequipment.com](mailto:sales@wilddogequipment.com)

**Product Information: TLT30-8**

**Wild Dog Equipment**



Shelter Structures America  
405 Via Chico, Suite 1  
Palos Verdes Estates, CA 90274

424-254-9172

[www.Shelterstructuresamerica.com](http://www.Shelterstructuresamerica.com)

[sales@wilddogequipment.com](mailto:sales@wilddogequipment.com)