

Product Information: TL2500

Wild Dog Equipment



Features:

- Cummins QSF2.8 Tier 4 - 55KW (75hp) Diesel
- Pilot-electrical joystick control all movements by one hand.
- Hydraulic quick hitch and front hydraulic output make attachments exchanging quick and easy.
- Telescopic Boom which can reach 4.5m to greatly increase working scope
- The articulated structure and axle transmission design make it powerful and have better pass through ability
- Radio with USB and Bluetooth.
- Quick hitch as standard.
- The seals, valves, and joystick are well-known overseas products to ensure it is reliable.
- Adjustable spring seat and option air conditioning for a more comfortable work experience.

Model	TL2500
Lifting capacity	2,500 kgs (5,510 lbs)
Max. Lifting Height	5,140mm (202")
Weight	5,800 kgs (12,800 lbs)
Max. length without fork	5,000mm (196.8")
Max. width	1950mm (76.75")
Max. height to top of cabin	2860mm (112.5")
Tires	16/70-20, 16ply
Engine Model	Cummins QSF2.8
Engine Power	55KW (75 HP)
Driving Brake	disc brake
Transmission	Hydraulic converter
Max. Speed	18 km/h (11 mph)
Driving	4 wheel driving
Turning Radius	5600mm (220.5")
Track	1470mm (57.8")
Wheelbase	2430mm (95.6")
System pressure	20Mpa
Hydraulic output	104 L/min (27.4 gpm)

Shelter Structures America

405 Via Chico, Suite 1
Palos Verdes Estates, CA 90274

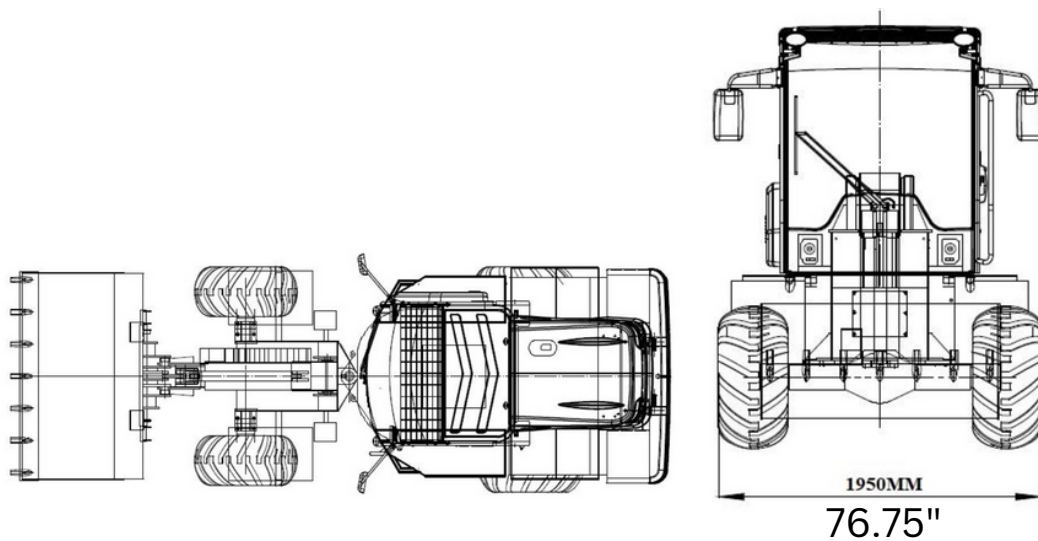
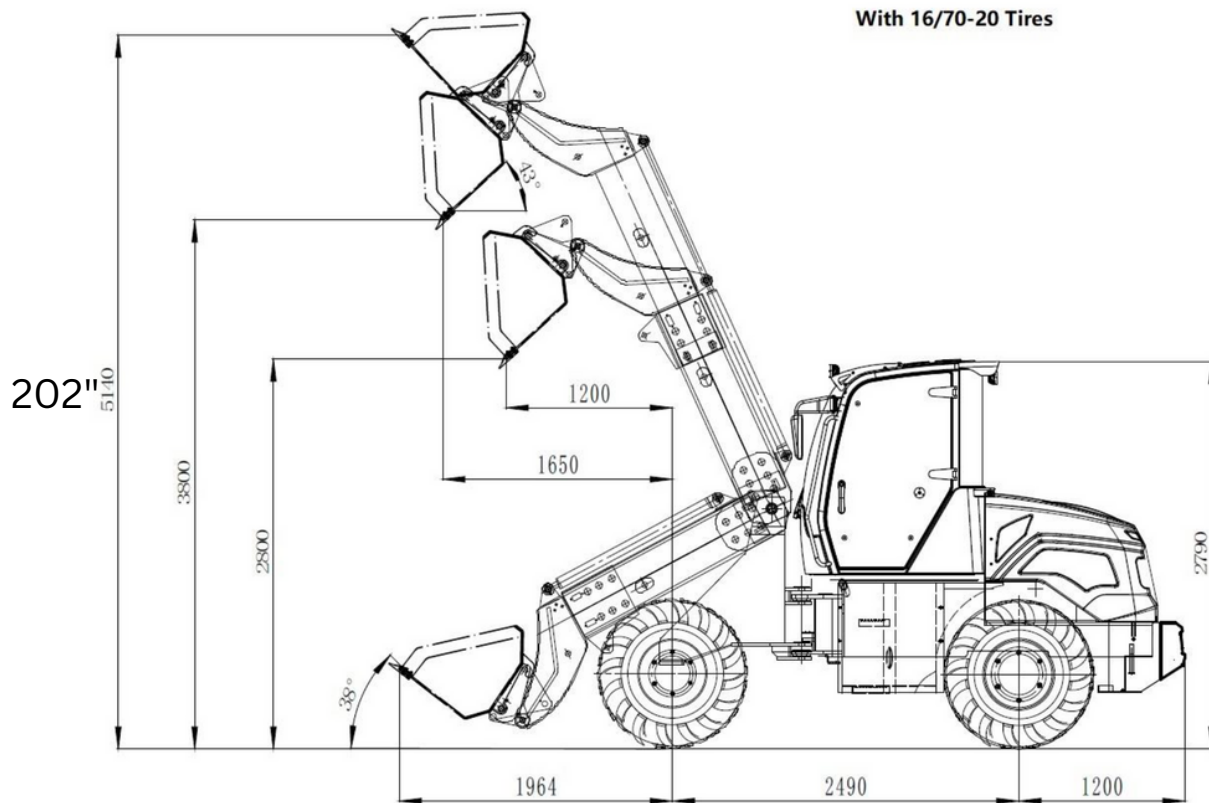
424-254-9172

www.Shelterstructuresamerica.com

sales@wilddogequipment.com

Product Information: TL2500

Wild Dog Equipment



Shelter Structures America
405 Via Chico, Suite 1
Palos Verdes Estates, CA 90274

424-254-9172

www.Shelterstructuresamerica.com

sales@wilddodgequipment.com