

Product Information: TL1500

Wild Dog Equipment



Features:

- Kohler EPA Tier 4 - 42KW (56hp) Diesel
- Pilot-electrical joystick control all movements by one hand.
- Hydraulic quick hitch and front hydraulic output make attachments exchanging quick and easy.
- Telescopic Boom which can reach 4.5m to greatly increase working scope
- The articulated structure and axle transmission design make it powerful and have better pass through ability
- Radio with USB and Bluetooth.
- Quick hitch as standard.
- The seals, valves, and joystick are well-known overseas products to ensure it is reliable.
- Adjustable spring seat and option air conditioning for a more comfortable work experience.

Model	TL1500
Lifting capacity	1,500 - 1,800 kgs (3,300 - 3,960lbs)
Max. height to pin	4,200 mm (165")
Weight	4,360 kgs (9,615 lbs)
Max. length without fork	4,450mm (175")
Max. width	1900mm (74.8")
Max. height to top of cabin	2730mm (107.4")
Tires	20.5-16, 12ply
Engine Model	Kohler
Engine Power	42 KW (57 HP)
Driving Brake	disc brake
Transmission	Hydraulic converter
Max. Speed	17 km/h (10.5 mph)
Driving	4 wheel driving
Turning Radius	4970mm (195.6")
Track	1345mm (52.9")
Wheelbase	2430mm (95.6")
System pressure	20Mpa
Hydraulic output	104 L/min (27.4 gpm)

Shelter Structures America

405 Via Chico, Suite 1

Palos Verdes Estates, CA 90274

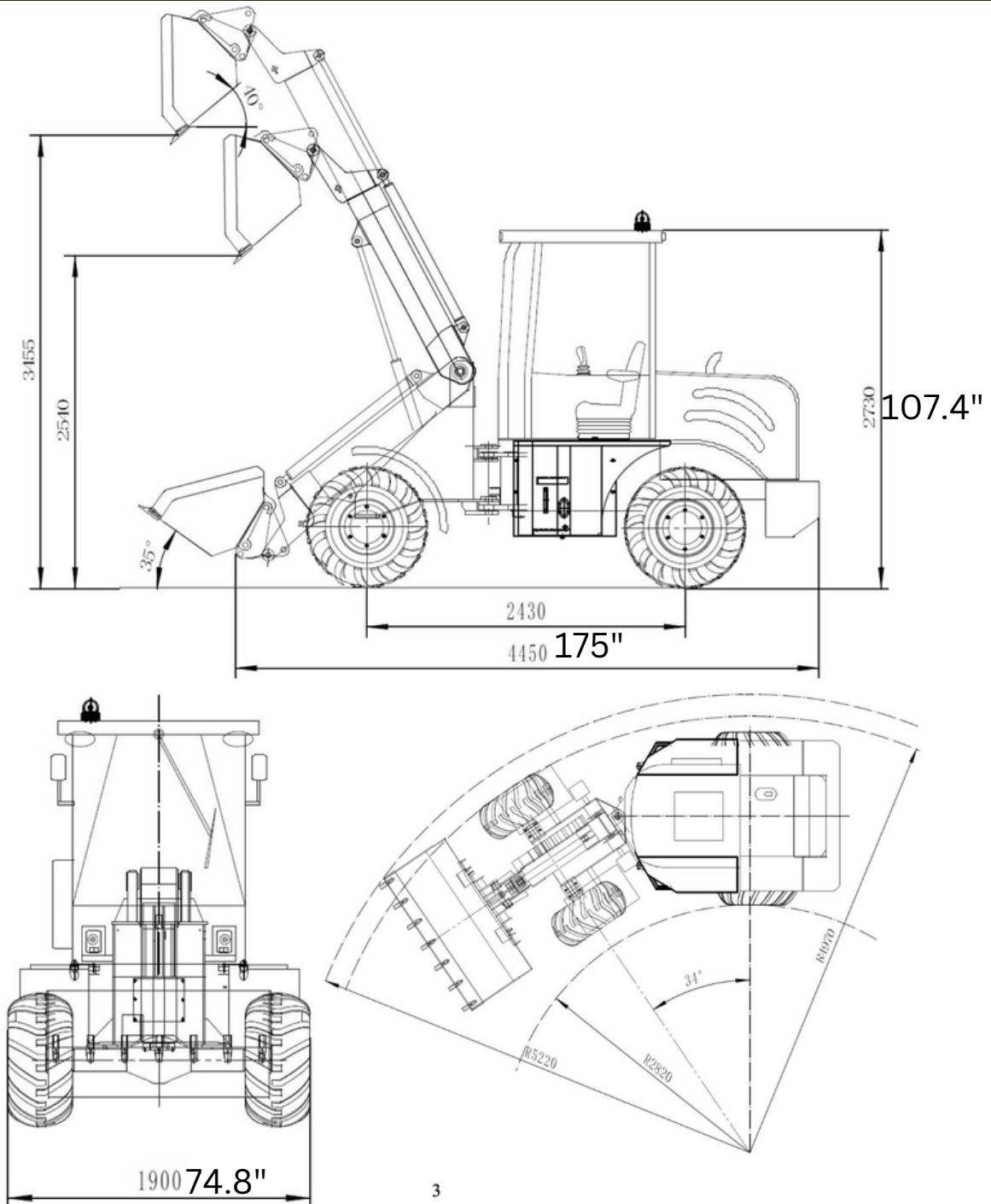
424-254-9172

www.Shelterstructuresamerica.com

sales@wilddogequipment.com

Product Information: TL1500

Wild Dog Equipment



Shelter Structures America
405 Via Chico, Suite 1
Palos Verdes Estates, CA 90274

424-254-9172

www.Shelterstructuresamerica.com

sales@wilddogequipment.com