



- **Compact design, Easy to handle.**
- **Turf Tires**
- **Telescopic Boom as standard.**
- **Kubota Engine**
- **Electrical parking as standard.**
- **Optional Rear Hydraulic Output.**
- **Great maneuverability**
- **Sound alarm**
- **High-flow auxiliary hydraulics**
- **Mini Bobcat plate / Avant plate**
- **CE, FOPS & ROPS Certified**

Model	DY840
Dimension (LxWxH)	2600 X1240 X 2130mm
Max. reach(boom extended)	3000mm (118")
Max. reach(boom retracted)	2480mm (97.6")
Bucket capacity	450L
Rated loading capacity	850kg (1873 lbs)
Min. turning radius	2480mm (97.6")
Turning angle	45 Degree
Speed	12 km/h
Weight	1860kg (4100 lbs)
Standard tire	26X12-12
Tire pressure	2.8 bar
Oil tank capacity	40L
Pressure	190bar
Working oil flow	33.5L/min (8.8 gal/m)
Tracking oil flow	78L/min (20 gal/m)
Oil model(mineral oil)	L-HL46
Fuel tank capacity	23L
Battery	60Ah, 12V

Shelter Structures America
405 Via Chico, Suite 1
Palos Verdes Estates, CA 90274

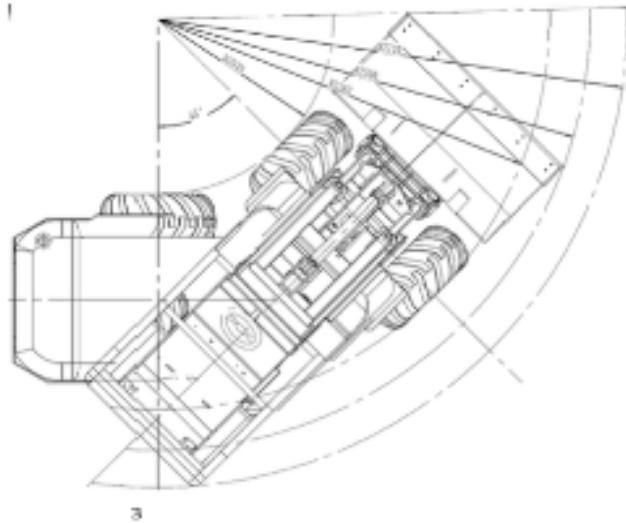
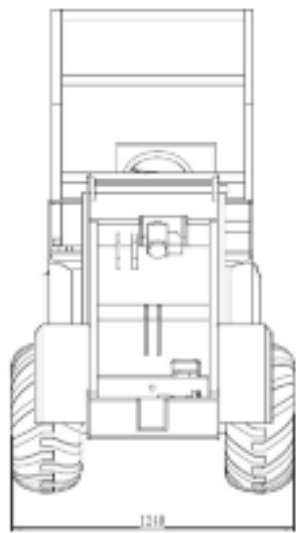
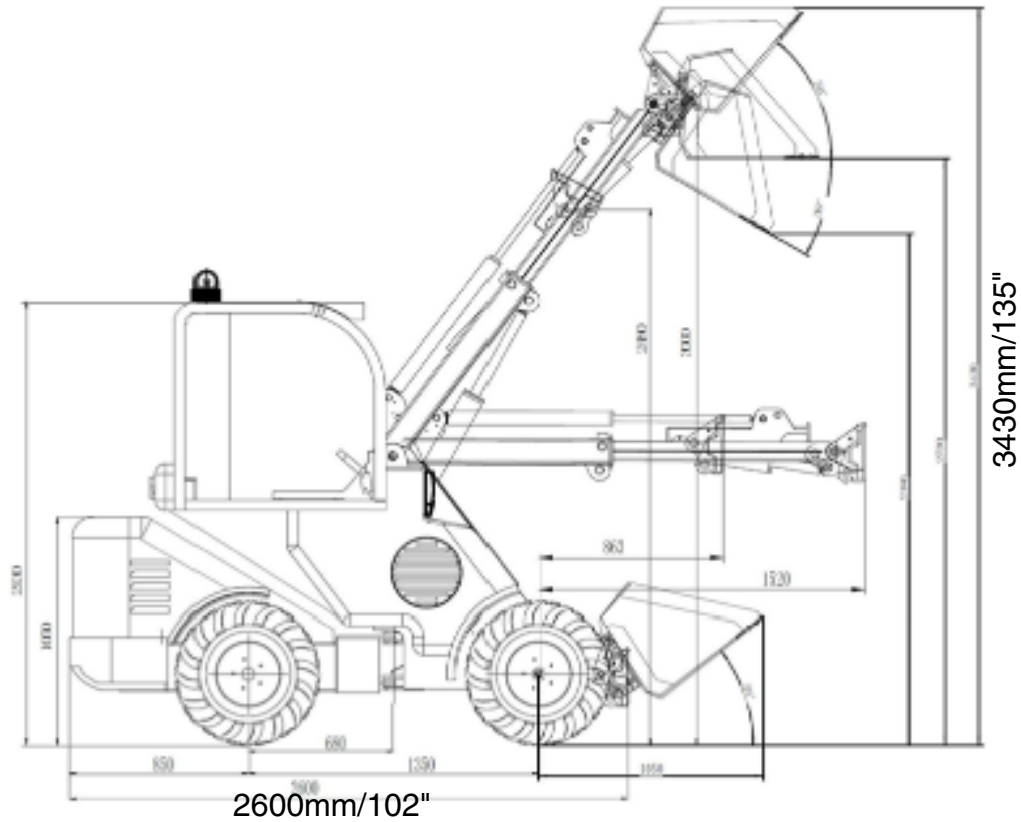
424-254-9172

www.Shelterstructuresamerica.com

sales@wilddogequipment.com

Product Information : **DY840 Loader**

Wild Dog Equipment



Shelter Structures America

405 Via Chico, Suite 1

Palos Verdes Estates, CA 90274

424-254-9172

www.Shelterstructuresamerica.com

sales@wilddogequipment.com